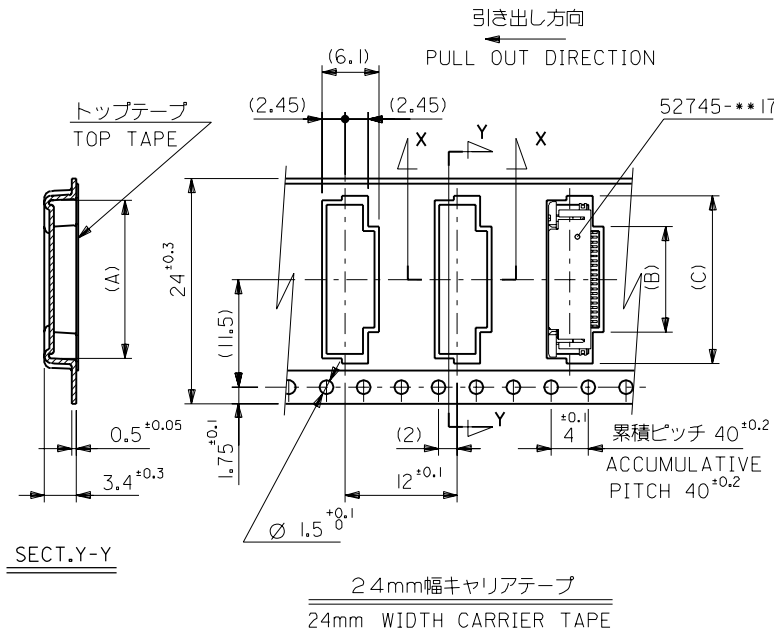


注記 NOTES

△ R0.3は、FPCの導体部にかからないこと。
R0.3 MUST NOT BE OVERLAPPED TO PATTERN OF FPC.

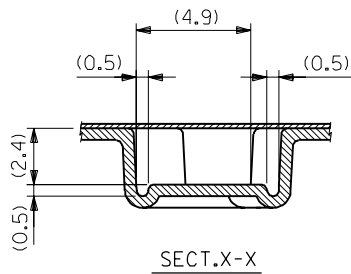
| | | | | | |
|-------------------------------|-------|-----------------------------|----------------------|---|----------|
| 材料 MATERIAL | | // | | MOLEX-JAPAN CO.,LTD. 日本モレックス株式会社 | |
| 仕上げ FINISH | | // | | REVISE ONLY ON CAD SYSTEM | |
| 適用電線範囲 WIRE RANGE | | // | | TITLE 名称 | |
| 被覆外径 INS. RANGE | | // | | 0.5 FPC CONN. Z.I.F. FOR SMT.R/A(UPPER CONTACT) | |
| DRAWN BY 94/3/24 S.SAIHARA | | CHK'D BY '00/6/30 S.KUNISHI | | DWG. NO. (SHEET 2 OF 2) REV | |
| APP'D BY '00/6/30 M.FUKUSHIMA | | 尺 度 SCALE // | | SD-52745-**-17 D | |
| 角度 ANGLE | +3° | 記号 LTR | 変更内容 REVISION RECORD | DR. CHR. | 日付 DATE |
| 30°以上 | +0.3 | D | 変更 (JC2000-0795) | Y.S. | 00/6/30 |
| 10°以上 30°未満 | +0.25 | C | 変更 (JC80041) | T.M. | 97/7/16 |
| 10°未満 | +0.2 | B | 変更 (JC60146) | T.M. | 95/9/6 |
| | | A | 変更 (J40949) | H.H. | 94/11/17 |
| | | O | 新規作成 (J40230) | S.S. | 94/3/24 |
| 一般公差 GENERAL TOLERANCES | | | | | |

DWG. NO.
SD-52745-**-90



SECT. Y-Y

24mm幅キャリアテープ
24mm WIDTH CARRIER TAPE



SECT. X-X

| | | | | | | | |
|--------------------------------|------|------|------------|------|------------|----------|---------------|
| 24 | 25.5 | 17.4 | 10.8 | 16.4 | 52745-2090 | 20 | |
| | | 16.9 | 10.3 | 15.9 | -1990 | 19 | |
| | | 16.4 | 9.8 | 15.4 | -1890 | 18 | |
| | | 15.9 | 9.3 | 14.9 | -1790 | 17 | |
| | | 15.4 | 8.8 | 14.4 | -1690 | 16 | |
| | | 14.9 | 8.3 | 13.9 | -1590 | 15 | |
| | | 14.4 | 7.8 | 13.4 | -1490 | 14 | |
| | | 13.9 | 7.3 | 12.9 | -1390 | 13 | |
| | | 13.4 | 6.8 | 12.4 | -1290 | 12 | |
| | | 12.9 | 6.3 | 11.9 | -1190 | 11 | |
| | | 12.4 | 5.8 | 11.4 | -1090 | 10 | |
| | | 11.9 | 5.3 | 10.9 | -0990 | 9 | |
| | | 11.4 | 4.8 | 10.4 | -0890 | 8 | |
| 10.9 | 4.3 | 9.9 | -0790 | 7 | | | |
| 10.4 | 3.8 | 9.4 | 52745-0690 | 6 | | | |
| キャリアテープ幅 CARRIER TAPE WIDTH | | D | (C) | (B) | (A) | ENG. NO. | 極数 CIRCUIT |

| | |
|----------------------------|-------|
| 角度 ANGLE | ±3° |
| 30°以上 OVER | +0.3 |
| 10°以上 30°未満 UNDER | +0.25 |
| 10°未満 UNDER | +0.2 |
| 一般公差 GENERAL TOLERANCES | |

| | | |
|------------------|-------------------------|-------------|
| 変更 REVISED | (J40949) | 00/12/20 |
| 変更 REVISED | (J40949) | 94/11/17 |
| 新規作成 RELEASED | (J40230) | 94/3/24 |
| 記号 LTR | 変更内容 REVISION RECORD | DR. CHR. |
| | | 日付 DATE |

材料
MATERIAL
SHEET 1 OF 3 参照
REFER TO SHEET 1 OF 3

仕上げ
FINISH

適用電線範囲
WIRE RANGE

被覆外径
INS. RANGE

DRAWN BY '94/3/24
S. AIHARA

CHK'D BY '00/12/20
S. KUNISHI

APP'D BY '00/12/20
M. FUKUSHIMA

尺度
SCALE

molex MOLEX-JAPAN CO.,LTD.
日本モレックス株式会社

REVISION ON CAD SYSTEM

TITLE 名称
0.5 FPC Conn ZIF SMT RA
Upper Contact
Embstp Pkg

DWG. NO. (SHEET 2 OF 3) REV
SD-52745-**-90 B

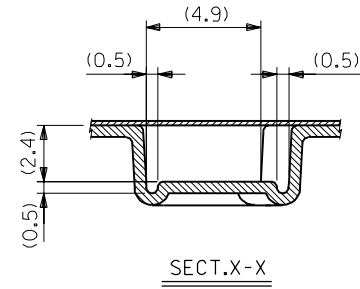
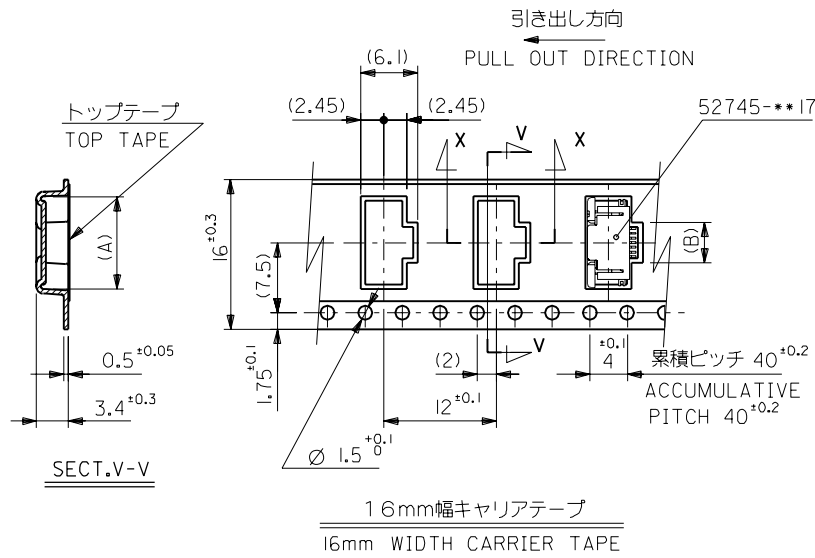
THIS DRAWING CONTAINS INFORMATION THAT IS PROPRIETARY TO MOLEX(JAPAN) AND SHOULD NOT BE USED WITHOUT WRITTEN PERMISSION
本図面は日本モレックス(株)の所有する情報を含むもので 当社の許可なく複製を禁止する。
EN-01C(032)MXJ-32

DIMENSIONS IN METRIC DO NOT SCALE DRAWING

5274590G.S81

DWG. NO.
SD-52745-***90

DIMENSIONS IN METRIC DO NOT SCALE DRAWING



SECT.V-V

| | | | | | |
|--------------------------------|------|-----|-----|------------|---------------|
| 16 | 17.5 | 2.8 | 8.4 | 52745-0490 | 4 |
| キャリアテープ幅 CARRIER TAPE WIDTH | D | (B) | (A) | ENG. NO. | 極数 CIRCUIT |

| | | | | | | | | | |
|----------------------------|-------|----|------------------|-------------------------|-------------|------------|--|--|-----------------------------|
| 角度 ANGLE | | 3° | | | | | 材料 MATERIAL | molex MOLEX-JAPAN CO.,LTD. 日本モレックス株式会社 | |
| 30°以上 OVER | +0.3 | B | 変更 REVISED | (J40949) | Y.M.S. | '00/12/20 | SHEET 1 OF 3 参照 REFER TO SHEET 1 OF 3 | | |
| 10°以上 30°未満 OVER UNDER | +0.25 | A | 変更 REVISED | (J40949) | H.A. | '94/11/17 | 仕上げ FINISH | REVISION ONLY ON CAD SYSTEM | |
| 10°未満 UNDER | +0.2 | O | 新規作成 RELEASED | (J40230) | S.S. | '94/3/24 | 適用電線範囲 WIRE RANGE | TITLE 名称 | |
| 一般公差 GENERAL TOLERANCES | | | 記号 LTR | 変更内容 REVISION RECORD | DR. CHR. | 日付 DATE | 適用電線範囲 INS. RANGE | 0.5 FPC Conn ZIF SMT RA Upper Contact Embstp Pkg | |
| | | | | | | | DRAWN BY '94/3/24 S.AIHARA | CHK'D BY '00/12/20 S.KUNISHI | DWG. NO. (SHEET 3 OF 3) REV |
| | | | | | | | APP'D BY '00/12/20 M.FUKUSHIMA | 尺度 SCALE | SD-52745-***90 |

THIS DRAWING CONTAINS INFORMATION THAT IS PROPRIETARY TO MOLEX(JAPAN) AND SHOULD NOT BE USED WITHOUT WRITTEN PERMISSION
本図面は日本モレックス(株)の所有する情報を含むもので 会社の許可なく複製を禁止する。
EN-01C(032)MXJ-32

5274590G.S82